

SPECIFICATIONS:

(SPECIFICATIONS AT 25°C (77°F) AND NOMINAL VOLTAGE UNLESS OTHERWISE NOTED).

MECHANICAL:

WETTED MATERIALS: 316 STAINLESS STEEL
 ENCLOSURE: TYPE 360 ALUMINUM; EPOXY POWDER COATED

ELECTRICAL:

ELECTRICAL CONNECTIONS:

POWER SUPPLY: 3 POSITION TERMINAL BLOCK, 22-14 AWG WIRE
 POWER INPUT: 4-20mA LOOP POWERED (20-40 Vdc)
 (REFERENCE I&M FOR ALLOWABLE POWER SUPPLY AND LOAD LIMITS)

SAFETY RELAY OUTPUT:
 IAW: 2 POSITION TERMINAL BLOCK, 16-26 AWG WIRE, 30Vdc @ 20mA (MAX)
 SWITCH STATUS: 2 POSITION TERMINAL BLOCK, 16-26 AWG WIRE, 30Vdc @ 20mA (MAX)

SWITCH SPECS:
 4 POSITION TERMINAL BLOCK, 14-20 AWG WIRE
 250Vac @ 5A

APPROVALS:

cULus Listed
 CLASS I, DIVISION 1, GROUPS A, B, C & D;
 CLASS II, DIVISION 1, GROUPS E, F & G; CLASS III
 CLASS I, ZONE 1, AEx d IIC T3/T5*; CLASS 1, ZONE 1, Ex d IIC T3/T5*
 Tamb = -40°C TO +70°C (-40°F TO 158°F)
 ENCLOSURE TYPE 4X; IP66

ATEX Approved
 II 2 G Ex d IIC T3/T5*
 II 2 D Ex td A21 IP66 T+90C
 DEMKO 09 ATEX 0813748X
 Tamb = -40°C TO +70°C (-40°F TO 158°F)

IECEX Approved
 IECEx UL 08.0017
 Ex d IIC T3/T5*
 Ex td A21 IP66 T+90C
 Tamb = -40°C TO +70°C (-40°F TO 158°F)

* MODELS P10-P16 HAVE A TEMPERATURE CLASS OF T3. ALL OTHER MODELS HAVE A T5 TEMPERATURE CLASS.

MODEL	TEMPERATURE RANGE	EXTENSION LENGTH	
		ft	[meter]
TR1	-40 TO 450°F/ -40 TO 232°C	6'	[1.8]
TRC	-40 TO 450°F/ -40 TO 232°C	UP TO 30' max. IN 1' INCREMENTS	[9.1] MAX
TH1	-40 TO 1000°F/ -40 TO 538°C	6'	[1.8]
THC	-40 TO 1000°F/ -40 TO 538°C	UP TO 30' max. IN 1' INCREMENTS	[9.1] MAX
TC1	-300 TO 200°F/ -184 TO 93°C	6'	[1.8]
TCC	-300 TO 200°F/ -184 TO 93°C	UP TO 30' max. IN 1' INCREMENTS	[9.1] MAX

ORIGINAL DATE	11-22-13
DRWN	A. KARLGREN
CHKD	SR
APPD	AJC
UNLESS OTHERWISE SPECIFIED DIMENSIONS ARE IN INCHES	
TOLERANCES ON FRACTIONS ±1/64	
2 PLACE DEC	3 PLACE DEC
±0.010	±0.005
ANGLES ±1/2°	
DO NOT SCALE THIS DRAWING	

TITLE
**2SLP
 REMOTE
 TEMP.
 SAFETY
 XMITTER**

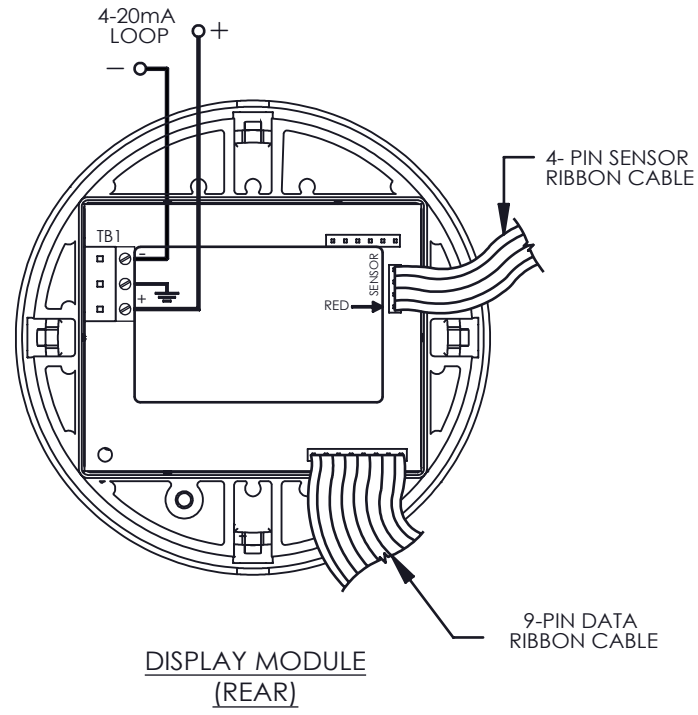
SCALE 1:1

**UNITED ELECTRIC
 CONTROLS COMPANY**
 WATERTOWN * MASSACHUSETTS

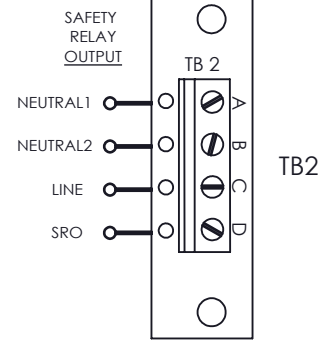
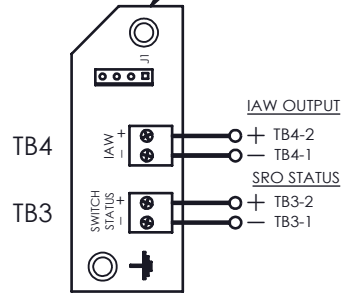
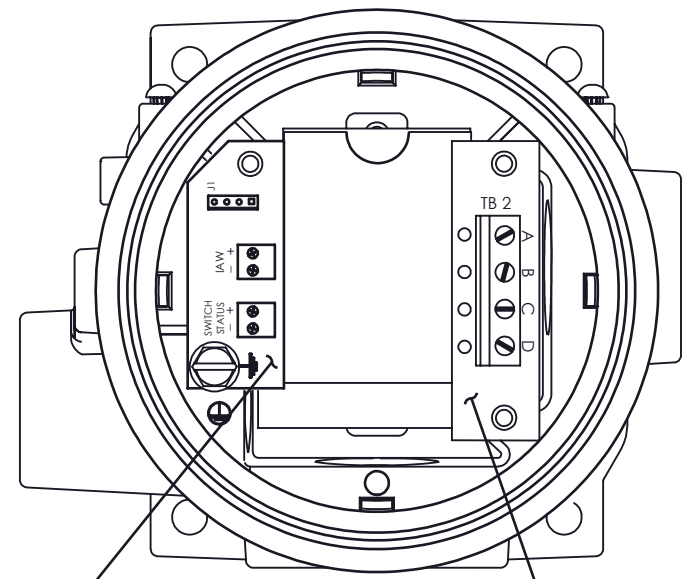
DWG NO Page 1 of 2
A-14009

THIS DOCUMENT IS PROPRIETARY PROPERTY OF UNITED ELECTRIC CONTROLS. UNAUTHORIZED USE IS STRICTLY PROHIBITED.	B	E5017	REPLACED "SWITCH" WITH "SAFETY XMITTER" IN TITLE.	1-16-14	SR	ASK
	A	E4967	INITIAL RELEASE	11-22-13	ASK	AJC
	REV.	ECN#	DESCRIPTION	DATE	DRWN	APPD

2SLP WIRING DIAGRAM



BASE ENCLOSURE



ORIGINAL DATE	11-22-13
DRWN	A. KARLGREN
CHKD	SR
APPD	AJC
UNLESS OTHERWISE SPECIFIED DIMENSIONS ARE IN INCHES	
TOLERANCES ON FRACTIONS ±1/64	
2 PLACE DEC	3 PLACE DEC
±0.010	±0.005
ANGLES ±1/2°	
DO NOT SCALE THIS DRAWING	

TITLE	2SLP REMOTE TEMP. SAFETY XMITTER
SCALE	1:1

UNITED ELECTRIC CONTROLS COMPANY
WATERTOWN * MASSACHUSETTS

DWG NO Page 2 of 2

A-14009

THIS DOCUMENT IS PROPRIETARY PROPERTY OF UNITED ELECTRIC CONTROLS. UNAUTHORIZED USE IS STRICTLY PROHIBITED.	B	E5017	SEE PG. 1 OF 2.	1-16-14	SR	ASK
	A	E4967	INITIAL RELEASE	11-22-13	ASK	AJC
	REV.	ECN#	DESCRIPTION	DATE	DRWN	APPD