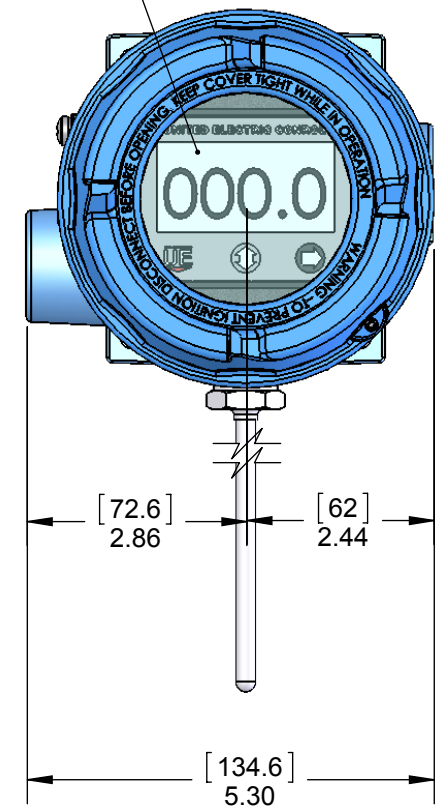


DISPLAY CAN BE ROTATED 180° BOTH DIRECTIONS



SPECIFICATIONS:

MECHANICAL:
 WETTED MATERIALS: 316 STAINLESS STEEL
 ENCLOSURE: TYPE 360 ALUMINUM; EPOXY POWDER COATED

ELECTRICAL:
 ELECTRICAL CONNECTION:
 TB1: 3 POSITION TERMINAL BLOCK, 22-14 AWG Max
 TB2: 4 POSITION TERMINAL BLOCK, 20-10 AWG Max
 TB3: 2 POSITION TERMINAL BLOCK, 22-14 AWG Max
 SWITCH SPECS (SWITCH AND IAW):
 TB2: TERMINALS A,B 70-240 VAC @ 10A
 (DERATE 8% PER 10°C ABOVE 21°C)
 MIN. LOAD CURRENT 150mA
 TB3: IAW OUTPUT, 7.8-50 VDC @ 100 mA Max.

INSTRUMENTS • CONTROLS • VALVES

CLICK TO VISIT OUR WEBSITE

ARCO Engineering, Inc. SINCE 1954
 www.arcoengineering.com

3317 Gilmore Industrial Blvd.
 Louisville, KY 40213

Ph: (502) 966-3134
 Fx: (502) 966-3135

MODEL TLX	TEMPERATURE RANGE	SHEATH LENGTH	
		INCHES	[cm]
TL1	-40 TO 450°F/ -40 TO 232°C	4"	[10.1]
TL2	-40 TO 450°F/ -40 TO 232°C	6"	[15.2]
TL3	-40 TO 450°F/ -40 TO 232°C	10"	[25.4]

REV.	ECN#	DESCRIPTION	DATE	DRWN	APPD
C	E5871	INCREASE RESOLUTION ON PAGE 2 OF 2	8-5-15	RAM	RAM
B	E5856	REVISED WIRING SCHEME VOLTAGE RATING: 70-240 VAC WAS 24-280 VAC, PG. 2 OF 2.	6-21-16	RAM	RCI
A	E5837	FIRST ISSUE.	5-31-16	RAM	RAM

ORIGINAL DATE	5-31-16
DRWN	RAM
CHKD	SR
APPD	R. McCAREY
UNLESS OTHERWISE SPECIFIED DIMENSIONS ARE IN INCHES	
TOLERANCES ON FRACTIONS ±1/64	
2 PLACE DEC	3 PLACE DEC
±0.010	±0.005
ANGLES ±1/2°	
DO NOT SCALE THIS DRAWING	

TITLE
**1XSWHH
 LOCAL WELDED
 TEMP.
 TRANSMITTER**

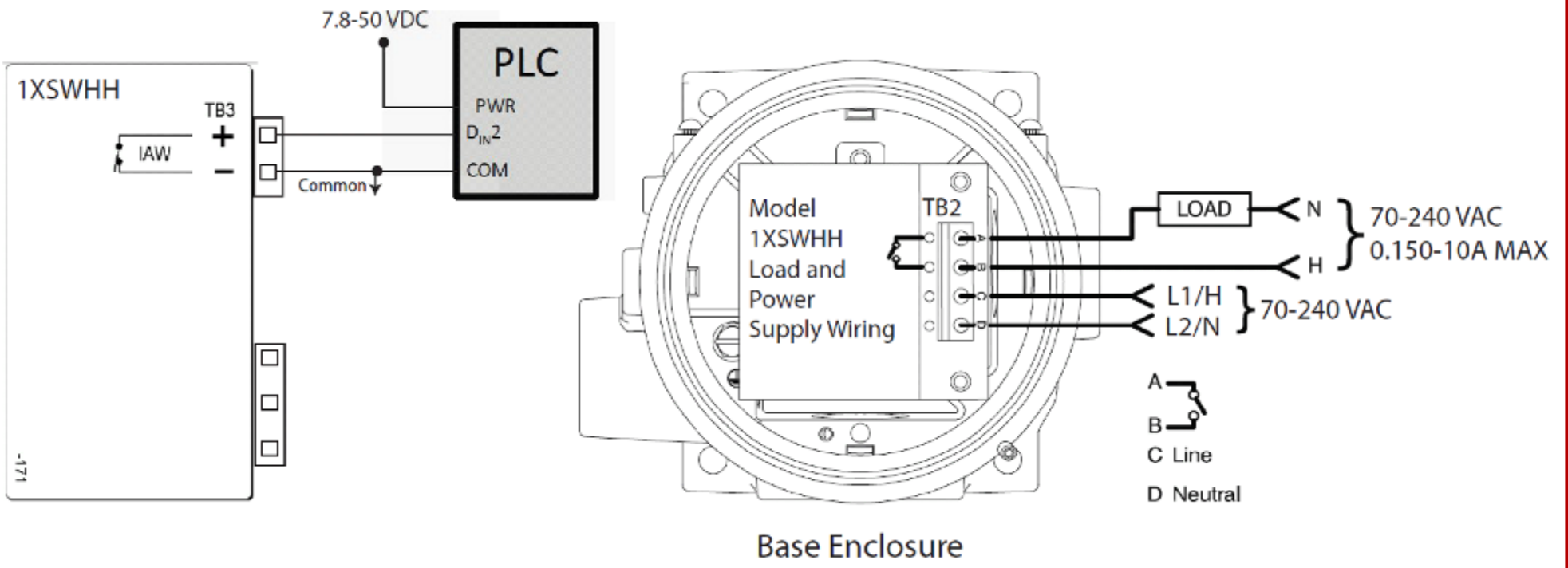
SCALE 1:8

UE
 UNITED ELECTRIC
 CONTROLS COMPANY
 WATERTOWN * MASSACHUSETTS

DWG NO Page 1 of 2
A-14043

THIS DOCUMENT IS PROPRIETARY PROPERTY OF UNITED ELECTRIC CONTROLS. UNAUTHORIZED USE IS STRICTLY PROHIBITED.

RECOMMENDED WIRING SCHEME



THIS DOCUMENT IS PROPRIETARY PROPERTY OF UNITED ELECTRIC CONTROLS. UNAUTHORIZED USE IS STRICTLY PROHIBITED.

REV.	ECN#	DESCRIPTION	DATE	DRWN	APPD
C	E5871	SEE PG. 1 OF 2.	8-5-15	RAM	RAM
B	E5856	SEE PG. 1 OF 2.	6-21-16	RAM	RCI
A	E5837	FIRST ISSUE.	5-31-16	RAM	RAM

ORIGINAL DATE	5-31-16
DRWN	RAM
CHKD	SR
APPD	R. McCAREY
UNLESS OTHERWISE SPECIFIED DIMENSIONS ARE IN INCHES	
TOLERANCES ON FRACTIONS ±1/64	
2 PLACE DEC	3 PLACE DEC
±0.010	±0.005
ANGLES	±1/2°
DO NOT SCALE THIS DRAWING	

TITLE
**1XSWHH
 LOCAL WELDED
 TEMP.
 TRANSMITTER**

SCALE 1:1

UNITED ELECTRIC CONTROLS COMPANY
 WATERTOWN * MASSACHUSETTS

DWG NO Page 2 of 2
A-14043