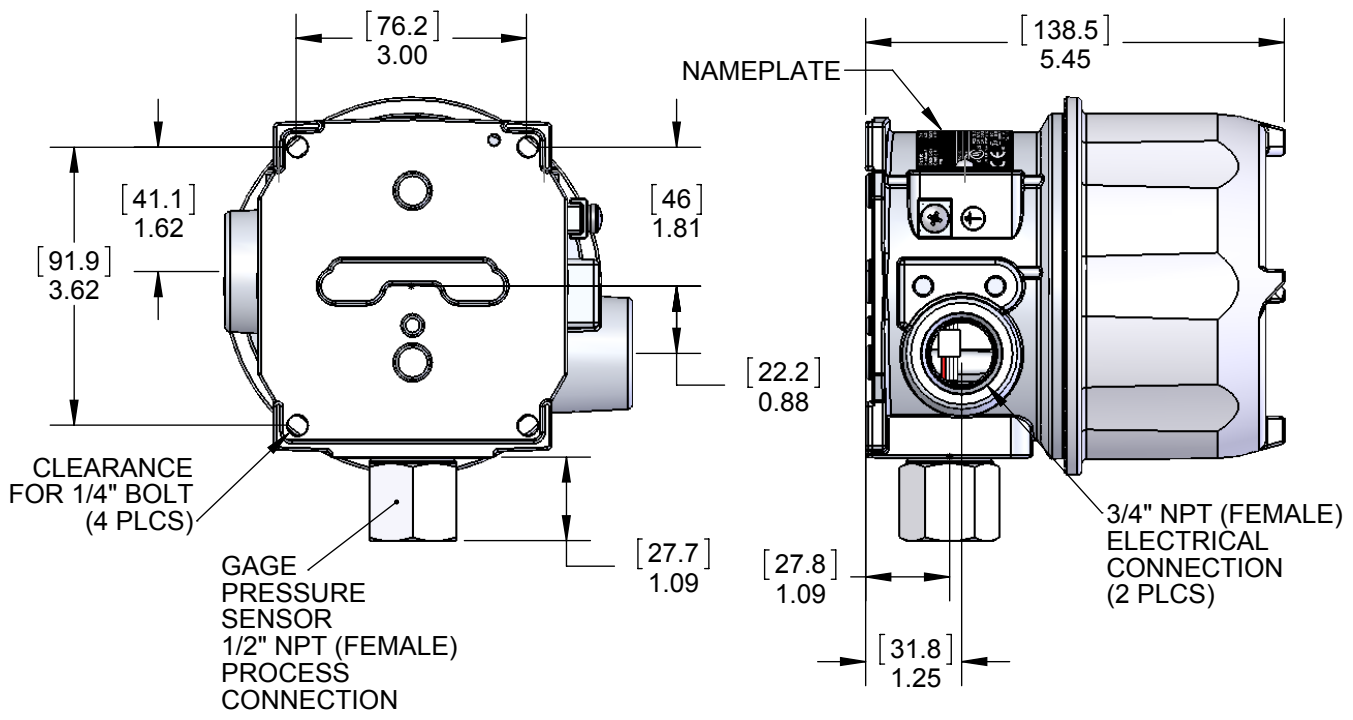
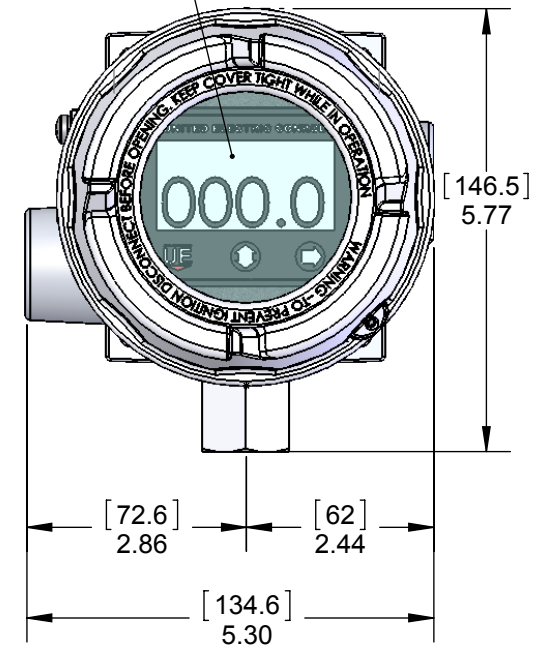


A-14012



DISPLAY CAN BE ROTATED UP TO 180° BOTH DIRECTIONS



**SPECIFICATIONS:**

**MECHANICAL:**  
WETTED MATERIALS: 316 STAINLESS STEEL  
ENCLOSURE: TYPE 360 ALUMINUM; EPOXY POWDER COATED

**ELECTRICAL:**  
ELECTRICAL CONNECTION:  
3 POSITION TERMINAL BLOCK, 22-14 AWG Max  
2 POSITION TERMINAL BLOCK, 22-14 AWG Max

SWITCH SPECS (Switch and IAW):  
POWER INPUT: 2 WIRE Electronic Switch  
(Derives operating power from the switch output wires)  
SWITCH OUTPUT: 7.8 to 50 VDC @ 100mA,  
de-rate 1mA / °C above 25 °C. 2.7 mA MIN. LOAD REQUIRED.  
SWITCH CHARACTERISTICS:  
Open(off) State: 7.8-50 VDC @750 uA MAX  
Closed (on) State: 4.7 VDC @100 mA

**APPROVALS:**

**cULus LISTED**  
CLASS I, DIVISION 1, GROUPS A, B, C & D;  
CLASS II, DIVISION 1, GROUPS E, F & G; CLASS III  
CLASS I, ZONE 0 AEx ia IIC T4  
CLASS I, ZONE 0 Ex ia IIC T4  
CLASS I, ZONE 1, AEx d IIC T3/T5\*; CLASS 1, ZONE 1,  
Ex d IIC T3/T5\*  
CLASS I, ZONE 2, AEx nA IIC T4  
CLASS I, ZONE 2 EX nA IIC T4  
Tamb= -40°C TO +85°C (-40°F TO 185°F)  
ENCLOSURE TYPE 4X; IP66

**ATEX APPROVED**  
II 1 G Ex ia IIC T4  
II 1 D Ex ia IIC T135°C  
II 2 G Ex d IIC T3/T5\*  
II 2 D Ex td A21 IP66 T+90C  
II 3 G Ex nA IIC T4  
DEMKO 09 ATEX 0813748X  
Tamb = -40°C TO +85°C (-40°F TO 185°F)

**APPROVALS:**

**IECEX APPROVED**  
IECEX UL 08.0017  
Ex ia IIC T4  
Ex ia IIC T135°C  
Ex d IIC T3/T5\*  
Ex td A21 IP66 T+90C  
Ex nA IIC T4  
Tamb. = -40°C TO +85°C (-40°F TO 185°F)

\* STRAIGHT PRESSURE SENSOR MODELS P10-P16 HAVE A TEMPERATURE CLASS OF T3. ALL OTHER MODELS HAVE A T5 TEMPERATURE CLASS.

MODEL PXX	OPERATING RANGE				MAX. OVER PRESSURE	
	LOW		HIGH		psi	bar
P06	-14.7	-1	30	2.1	60	4.1
P08	-14.7	-1	100	6.9	200	13.8
P10	0	0	5	0.3	10	0.7
P11	0	0	15	1.0	30	2.1
P12	0	0	30	2.1	60	4.1
P13	0	0	50	3.4	100	6.9
P14	0	0	100	6.9	200	13.8
P15	0	0	300	20.7	600	41.4
P16	0	0	500	34.5	1000	68.9
P17	0	0	1000	68.9	2000	137.9
P18	0	0	3000	206.8	6000	413.7
P19	0	0	4500	310.3	9000	620.6
P20	0	0	6000	413.6	12000	827.4

**INSTRUMENTS • CONTROLS • VALVES**

CLICK TO VISIT OUR WEBSITE

**ARCO Engineering, Inc.**  
SINCE 1954  
www.arcoengineering.com

3317 Gilmore Industrial Blvd.  
Louisville, KY 40213

Ph: (502) 966-3134  
Fx: (502) 966-3135

ORIGINAL DATE	4-13-15
DRWN	SR
CHKD	RJG
APPD	S. MILLS
UNLESS OTHERWISE SPECIFIED DIMENSIONS ARE IN INCHES	
TOLERANCES ON FRACTIONS ±1/64	
2 PLACE DEC	3 PLACE DEC
±0.010	±0.005
ANGLES ±1/2°	
DO NOT SCALE THIS DRAWING	

TITLE

**1XSWLL GAGE PRESSURE SWITCH**

USED ON:

SCALE 1:2.5

**UE**

UNITED ELECTRIC CONTROLS COMPANY  
WATERTOWN \* MASSACHUSETTS

DWG NO Page 1 of 2

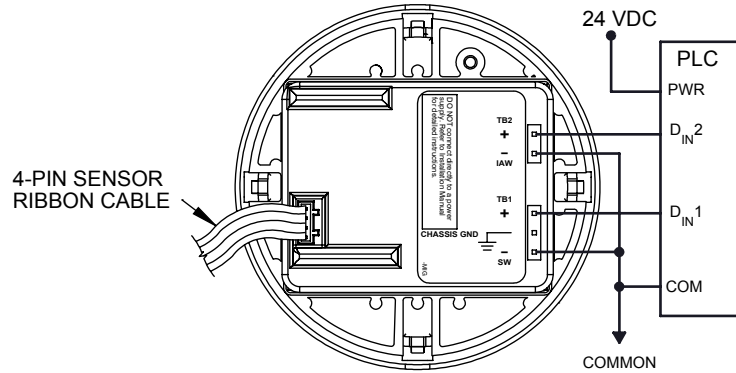
**A-14012**

REV.	ECN#	DESCRIPTION	DATE	DRWN	APPD
B	E5527	DRILLED HOLES IN CASTING NOW CORED	6-15-15	RJG	RAM
A	E5458	FIRST ISSUE.	4-13-15	SR	SJM

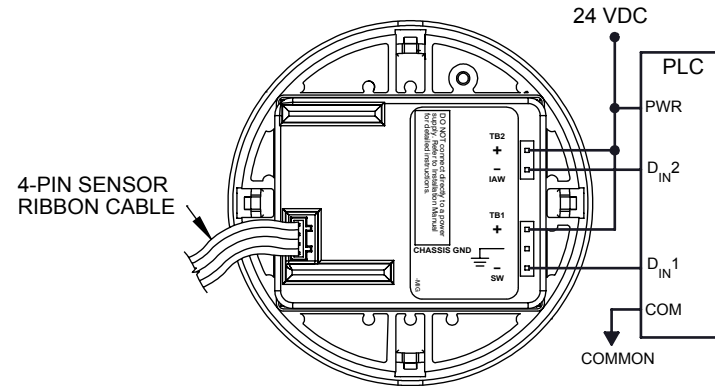
THIS DOCUMENT IS PROPRIETARY PROPERTY OF UNITED ELECTRIC CONTROLS. UNAUTHORIZED USE IS STRICTLY PROHIBITED.

## RECOMMENDED WIRING SCHEMES

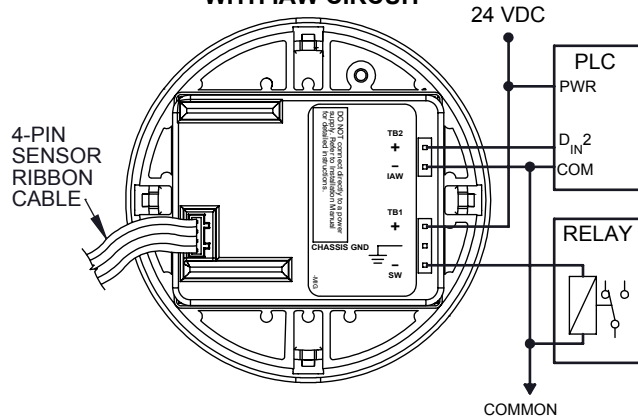
**SW AND IAW  
PLC INPUTS CIRCUIT  
SINKING SWITCH**



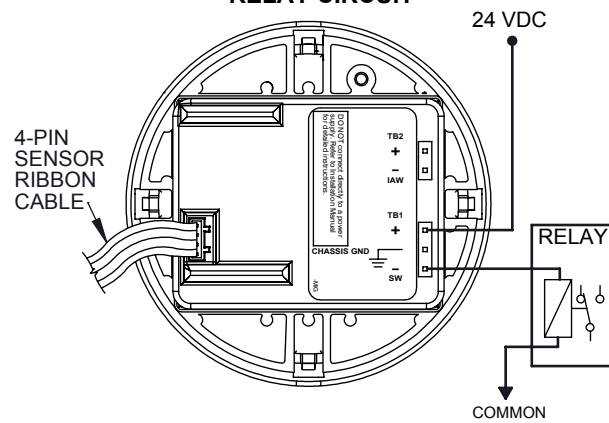
**SW AND IAW  
PLC INPUTS CIRCUIT  
SOURCING SWITCH**



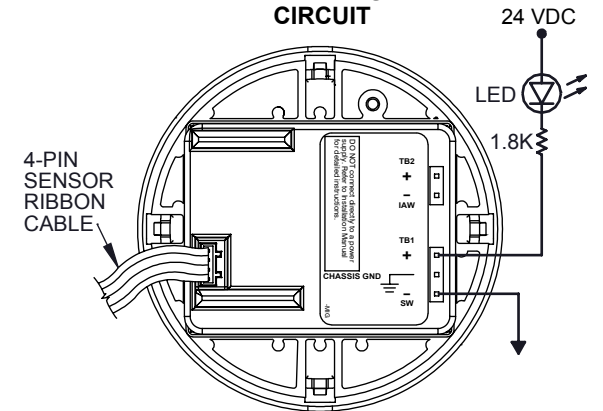
**SWITCH INPUT SINKING  
INTERPOSING RELAY  
WITH IAW CIRCUIT**



**INTERPOSING  
RELAY CIRCUIT**



**RECOMMENDED  
BENCH TEST  
CIRCUIT**



THIS DOCUMENT IS PROPRIETARY  
PROPERTY OF UNITED ELECTRIC CONTROLS.  
UNAUTHORIZED USE IS STRICTLY PROHIBITED.

B	E5527	SEE PAGE 1	6/15/15	RJG	RAM
A	E5458	FIRST ISSUE.	4-13-15	SR	SJM
REV.	ECN#	DESCRIPTION	DATE	DRWN	APPD

ORIGINAL DATE	4-13-15	
DRWN	SR	
CHKD	RJG	
APPD	S. MILLS	
UNLESS OTHERWISE SPECIFIED DIMENSIONS ARE IN INCHES		
TOLERANCES ON FRACTIONS ±1/64		
2 PLACE DEC	3 PLACE DEC	ANGLES
±0.010	±0.005	±1/2°
DO NOT SCALE THIS DRAWING		

TITLE  
**1XSWLL  
GAGE  
PRESSURE  
SWITCH**

USED ON:

SCALE 1:1



**UNITED ELECTRIC  
CONTROLS COMPANY**  
WATERTOWN \* MASSACHUSETTS

DWG NO Page 2 of 2

**A-14012**