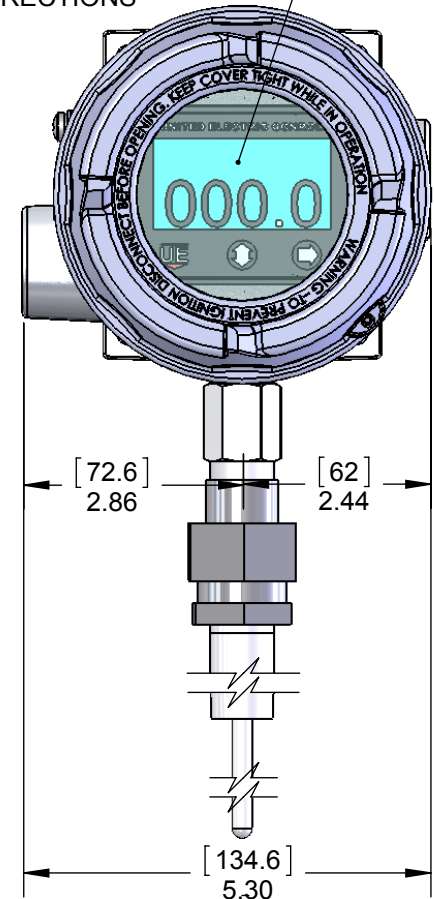


DISPLAY CAN BE ROTATED 180° BOTH DIRECTIONS

A-14016



SPECIFICATIONS:

MECHANICAL:
 WETTED MATERIALS: 316 STAINLESS STEEL
 ENCLOSURE: TYPE 360 ALUMINUM; EPOXY POWDER COATED

ELECTRICAL:
 ELECTRICAL CONNECTION:
 3 POSITION TERMINAL BLOCK, 22-14 AWG Max
 2 POSITION TERMINAL BLOCK, 22-14 AWG Max
 SWITCH SPECS (Switch and IAW):
 POWER INPUT: 2 WIRE Electronic Switch
 (Derives operating power from the switch output wires)
 SWITCH OUTPUT: 7.8 to 50 VDC @ 100mA,
 de-rate 1mA / °C above 25 °C, 2.7 mA MIN. LOAD REQUIRED.
 SWITCH CHARACTERISTICS:
 Open(off) State: 7.8-50 VDC @750 uA MAX
 Closed (on) State: 4.7 VDC @100 mA

APPROVALS:

cULus LISTED
 CLASS I, DIVISION 1, GROUPS A, B, C & D;
 CLASS II, DIVISION 1, GROUPS E, F & G; CLASS III
 CLASS I, ZONE 0 AEx ia IIC T4
 CLASS I, ZONE 1, AEx d IIC T5
 CLASS 1, ZONE 1, Ex d IIC T5
 CLASS I, ZONE 2, AEx nA IIC T4
 CLASS I, ZONE 2 EX nA IIC T4
 Tamb = -40°C TO +85°C (-40°F TO 185°F)
 ENCLOSURE TYPE 4X; IP66

ATEX APPROVED
 II 1 G Ex ia IIC T4
 II 1 D Ex ia IIIC T135°C
 II 2 G Ex d IIC T5
 II 2 D Ex tD A21 IP66 T+90C
 II 3 G Ex nA IIC T4
 DEMKO 09 ATEX 0813748X
 Tamb = -40°C TO +85°C (-40°F TO 185°F)

IECEX APPROVED
 IECEX UL 08.0017
 Ex ia IIC T4
 Ex ia IIIC T135°C
 Ex d IIC T5
 Ex tD A21 IP66 T+90C
 Ex nA IIC T4
 Tamb. = -40°C TO +85°C (-40°F TO 185°F)

MODEL TTC	TEMPERATURE RANGE	EXTENSION LENGTH	
		INCHES	[cm]
N-U-N LENGTH	-40 TO 900°F / -40 TO 482°C	4"-10" IN 1 INCH INCREMENTS	[10.1-25.4]
SHEATH LENGTH "L"	-40 TO 900°F / -40 TO 482°C	UP TO 60" MAX	[152.4] MAX

INSTRUMENTS • CONTROLS • VALVES

CLICK TO VISIT OUR WEBSITE

ARCO Engineering, Inc.
 3317 Gilmore Industrial Blvd.
 Louisville, KY 40213
 Ph: (502) 966-3134
 Fx: (502) 966-3135
 www.arcoengineering.com

REV.	ECN#	DESCRIPTION	DATE	DRWN	APPD
B	E5527	DRILLED HOLES IN CASTING NOW CORED	6-15-15	RJG	RAM
A	E5458	FIRST ISSUE.	4-13-15	SR	SJM

ORIGINAL DATE	4-13-15
DRWN	SR
CHKD	RJG
APPD	S. MILLS
UNLESS OTHERWISE SPECIFIED DIMENSIONS ARE IN INCHES	
TOLERANCES ON FRACTIONS ±1/64	
2 PLACE DEC	3 PLACE DEC
±0.010	±0.005
ANGLES ±1/2°	
DO NOT SCALE THIS DRAWING	

TITLE

**1XSWLL
 SPRING LOADED
 TEMP. SWITCH**

USED ON:

SCALE 1:2.5

UE

**UNITED ELECTRIC
 CONTROLS COMPANY**
 WATERTOWN * MASSACHUSETTS

DWG NO Page 1 of 2

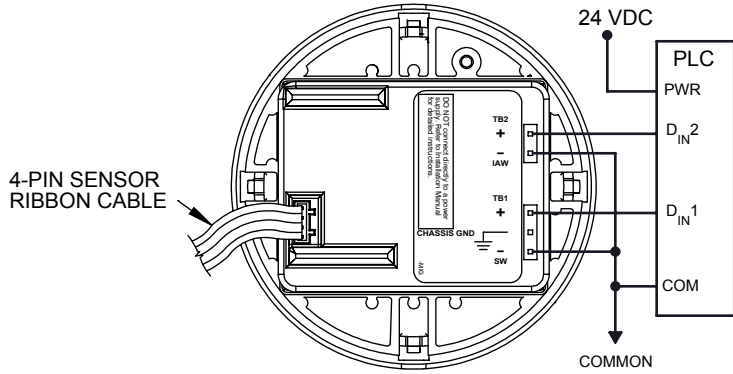
A-14016

THIS DOCUMENT IS PROPRIETARY PROPERTY OF UNITED ELECTRIC CONTROLS. UNAUTHORIZED USE IS STRICTLY PROHIBITED.

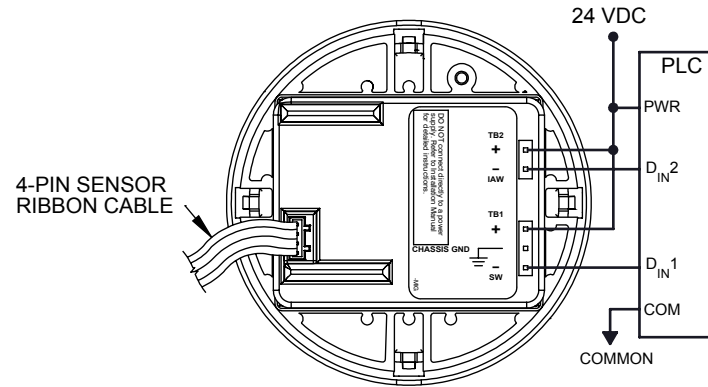
RECOMMENDED WIRING SCHEMES

A-14016

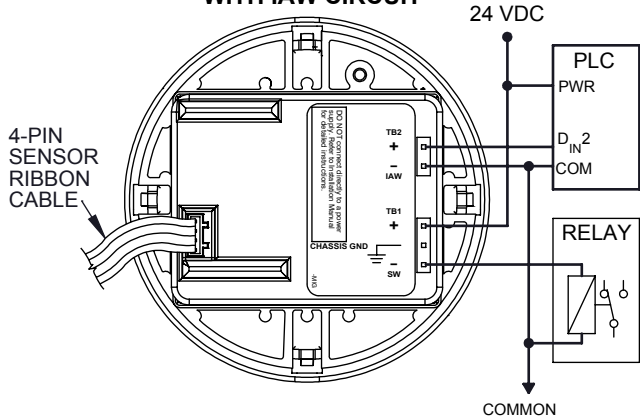
**SW AND IAW
PLC INPUTS CIRCUIT
SINKING SWITCH**



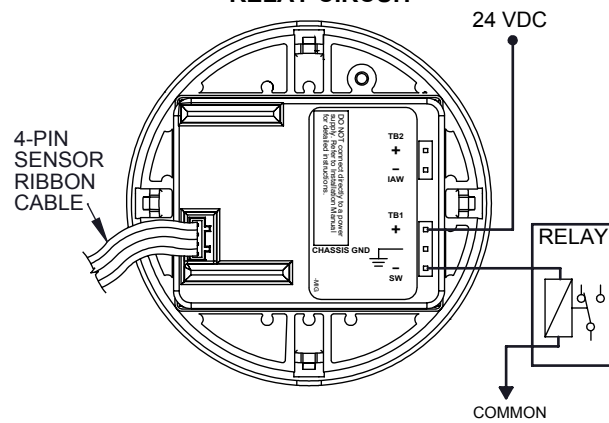
**SW AND IAW
PLC INPUTS CIRCUIT
SOURCING SWITCH**



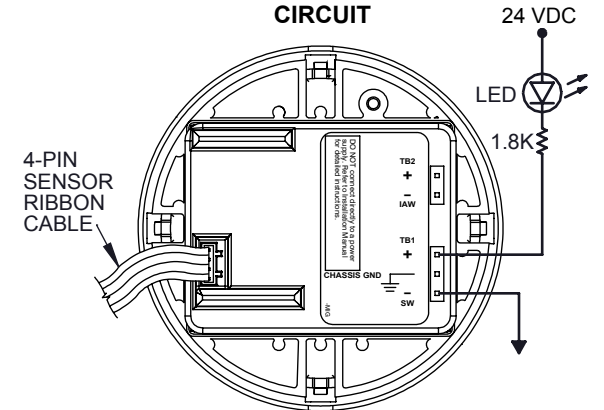
**SWITCH INPUT SINKING
INTERPOSING RELAY
WITH IAW CIRCUIT**



**INTERPOSING
RELAY CIRCUIT**



**RECOMMENDED
BENCH TEST
CIRCUIT**



THIS DOCUMENT IS PROPRIETARY PROPERTY OF UNITED ELECTRIC CONTROLS. UNAUTHORIZED USE IS STRICTLY PROHIBITED.

B	E5527	SEE PAGE 1	6-15-15	RJG	6-15-15
A	E5458	FIRST ISSUE.	4-13-15	SR	SJM
REV.	ECN#	DESCRIPTION	DATE	DRWN	APPD

ORIGINAL DATE	4-13-15	
DRWN	SR	
CHKD	RJG	
APPD	S. MILLS	
UNLESS OTHERWISE SPECIFIED DIMENSIONS ARE IN INCHES		
TOLERANCES ON FRACTIONS ±1/64		
2 PLACE DEC	3 PLACE DEC	ANGLES
±0.010	±0.005	±1/2°
DO NOT SCALE THIS DRAWING		

TITLE	1XSWLL SPRING LOADED TEMP. SWITCH
USED ON:	SCALE 1:1

UE
UNITED ELECTRIC
CONTROLS COMPANY
WATERTOWN * MASSACHUSETTS

DWG NO Page 2 of 2
A-14016