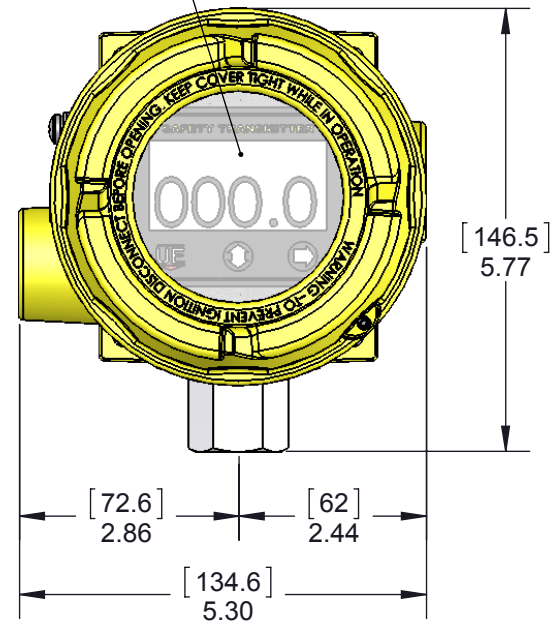


DISPLAY CAN BE ROTATED UP TO 180° BOTH DIRECTIONS



INSTRUMENTS • CONTROLS • VALVES
 CLICK TO VISIT OUR WEBSITE
ARCO Engineering, Inc. 3317 Gilmore Industrial Blvd. Louisville, KY 40213
 Ph: (502) 966-3134 Fx: (502) 966-3135
 www.arcoengineering.com

SPECIFICATIONS:

(SPECIFICATIONS AT 25°C (77°F) AND NOMINAL VOLTAGE UNLESS OTHERWISE NOTED).

MECHANICAL:

WETTED MATERIALS: 316 STAINLESS STEEL
 ENCLOSURE: TYPE 360 ALUMINUM; EPOXY POWDER COATED

ELECTRICAL:

ELECTRICAL CONNECTIONS:

POWER SUPPLY: 3 POSITION TERMINAL BLOCK, 22-14 AWG WIRE
 POWER INPUT: 4-20mA LOOP POWERED (20-40 Vdc)
 (REFERENCE I&M FOR ALLOWABLE POWER SUPPLY AND LOAD LIMITS)

SAFETY RELAY OUTPUT:
 IAW: 2 POSITION TERMINAL BLOCK, 16-26 AWG WIRE, 30Vdc @ 20mA (MAX)
 SWITCH STATUS: 2 POSITION TERMINAL BLOCK, 16-26 AWG WIRE, 30Vdc @ 20mA (MAX)

SWITCH SPECS:
 4 POSITION TERMINAL BLOCK, 14-20 AWG WIRE
 250VAC @ 5A

APPROVALS:

cULus Listed
 CLASS I, DIVISION 1, GROUPS A, B, C & D;
 CLASS II, DIVISION 1, GROUPS E, F & G; CLASS III
 CLASS I, ZONE 1, AEx d IIC T3/T5*; CLASS 1, ZONE 1, Ex d IIC T3/T5*
 Tamb = -40°C TO +70°C (-40°F TO 158°F)
 ENCLOSURE TYPE 4X; IP66

ATEX Approved
 II 2 G Ex d IIC T3/T5*
 II 2 D Ex ID A21 IP66 T+90C
 DEMKO 09 ATEX 0813748X
 Tamb = -40°C TO +70°C (-40°F TO 158°F)

IECEx Approved
 IECEx UL 08.0017
 Ex d IIC T3/T5*
 Ex ID A21 IP66 T+90C
 Tamb. = -40°C TO +70°C (-40°F TO 158°F)

* MODELS P10-P16 HAVE A TEMPERATURE CLASS OF T3.
 ALL OTHER MODELS HAVE A T5 TEMPERATURE CLASS.

| MODEL PXX | OPERATING RANGE | | | | MAX. OVER PRESSURE | |
|-----------|-----------------|----|------|-------|--------------------|-------|
| | LOW | | HIGH | | psi | bar |
| P06 | -14.7 | -1 | 30 | 2.1 | 60 | 4.1 |
| P08 | -14.7 | -1 | 100 | 6.9 | 200 | 13.8 |
| P10 | 0 | 0 | 5 | 0.3 | 10 | 0.7 |
| P11 | 0 | 0 | 15 | 1.0 | 30 | 2.1 |
| P12 | 0 | 0 | 30 | 2.1 | 60 | 4.1 |
| P13 | 0 | 0 | 50 | 3.4 | 100 | 6.9 |
| P14 | 0 | 0 | 100 | 6.9 | 200 | 13.8 |
| P15 | 0 | 0 | 300 | 20.7 | 600 | 41.4 |
| P16 | 0 | 0 | 500 | 34.5 | 1000 | 68.9 |
| P17 | 0 | 0 | 1000 | 68.9 | 2000 | 137.9 |
| P18 | 0 | 0 | 3000 | 206.8 | 6000 | 413.7 |
| P19 | 0 | 0 | 4500 | 310.3 | 9000 | 620.6 |
| P20 | 0 | 0 | 6000 | 413.6 | 12000 | 827.4 |

| | |
|--|-------------|
| ORIGINAL DATE | 11-22-13 |
| DRWN | A. KARLGREN |
| CHKD | S.R. |
| APPD | AJC |
| UNLESS OTHERWISE SPECIFIED DIMENSIONS ARE IN INCHES TOLERANCES ON FRACTIONS ±1/64 2 PLACE DEC ±0.010 3 PLACE DEC ±0.005 ANGLES ±1/2° | |
| DO NOT SCALE THIS DRAWING | |

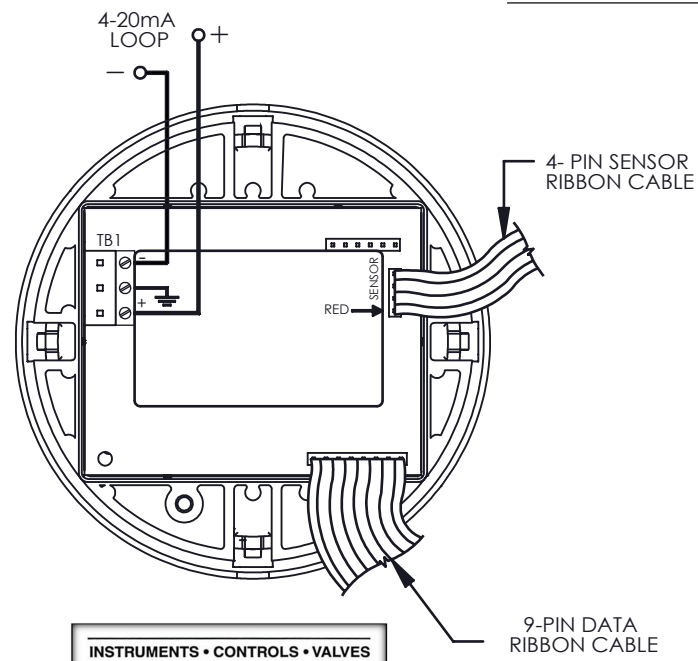
TITLE
2SLP GAGE PRESSURE SAFETY XMITTER
 SCALE 1:1

UE
 UNITED ELECTRIC CONTROLS COMPANY
 WATERTOWN • MASSACHUSETTS
 DWG NO Page 1 of 2
A-14005

| REV. | ECN# | DESCRIPTION | DATE | DRWN | APPD |
|------|-------|---|----------|------|------|
| C | E5527 | DRILLED HOLES IN CASTING NOW CORED | 6-15-15 | RJG | RAM |
| B | E5017 | REPLACED "SWITCH" WITH "SAFETY XMITTER" IN TITLE. | 1-16-14 | SR | ASK |
| A | E4967 | INITIAL RELEASE | 11-22-13 | ASK | AJC |

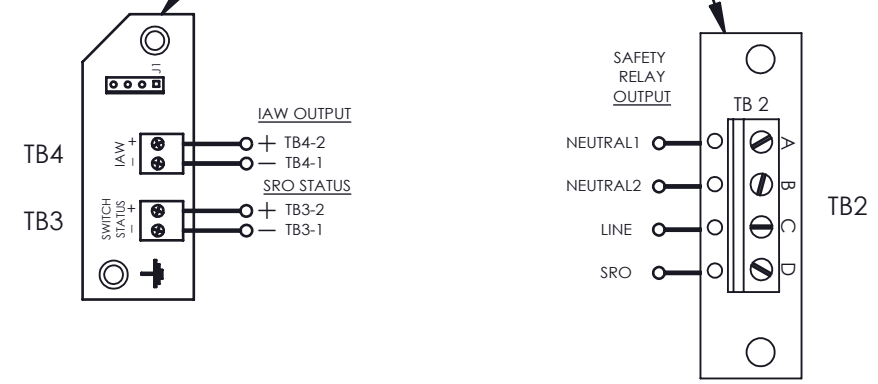
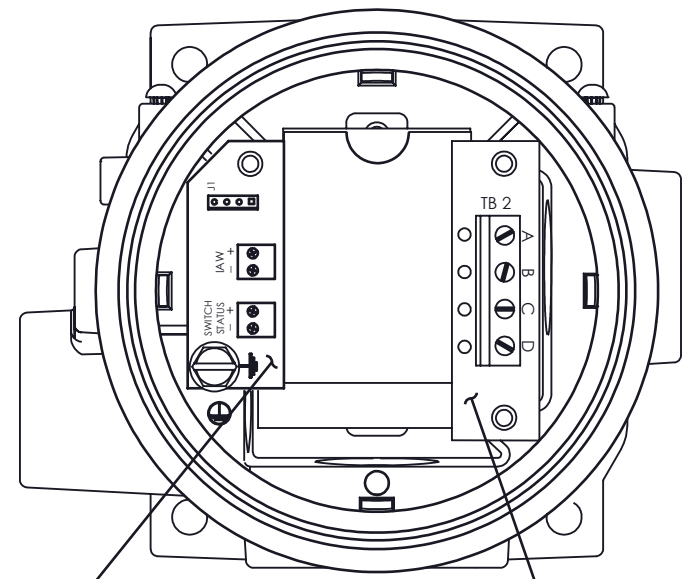
THIS DOCUMENT IS PROPRIETARY PROPERTY OF UNITED ELECTRIC CONTROLS. UNAUTHORIZED USE IS STRICTLY PROHIBITED.

2SLP WIRING DIAGRAM



INSTRUMENTS • CONTROLS • VALVES
CLICK TO VISIT OUR WEBSITE
ARCO Engineering, Inc. SINCE 1955
 3317 Gilmore Industrial Blvd.
 Louisville, KY 40213
 Ph: (502) 966-3134
 www.arcoengineering.com Fx: (502) 966-3135

BASE ENCLOSURE



THIS DOCUMENT IS PROPRIETARY PROPERTY OF UNITED ELECTRIC CONTROLS. UNAUTHORIZED USE IS STRICTLY PROHIBITED.

| REV. | ECN# | DESCRIPTION | DATE | DRWN | APPD |
|------|-------|-----------------|----------|------|------|
| C | E5527 | SEE PG. 1 OF 2 | 6-15-15 | RJG | RAM |
| B | E5017 | SEE PG. 1 OF 2. | 1-16-14 | SR | ASK |
| A | E4967 | INITIAL RELEASE | 11-22-13 | ASK | AJC |

| | |
|---|-------------|
| ORIGINAL DATE | 11-22-13 |
| DRWN | A. KARLGREN |
| CHKD | S.R. |
| APPD | AJC |
| UNLESS OTHERWISE SPECIFIED DIMENSIONS ARE IN INCHES TOLERANCES ON FRACTIONS ±1/64 2 PLACE DEC 3 PLACE DEC ANGLES ±0.010 ±0.005 ±1/2° | |
| DO NOT SCALE THIS DRAWING | |

| | |
|-------|-----------------------------------|
| TITLE | 2SLP GAGE PRESSURE SAFETY XMITTER |
| SCALE | 1:1 |

UE
 UNITED ELECTRIC CONTROLS COMPANY
 WATERTOWN • MASSACHUSETTS
 DWG NO Page 2 of 2
A-14005