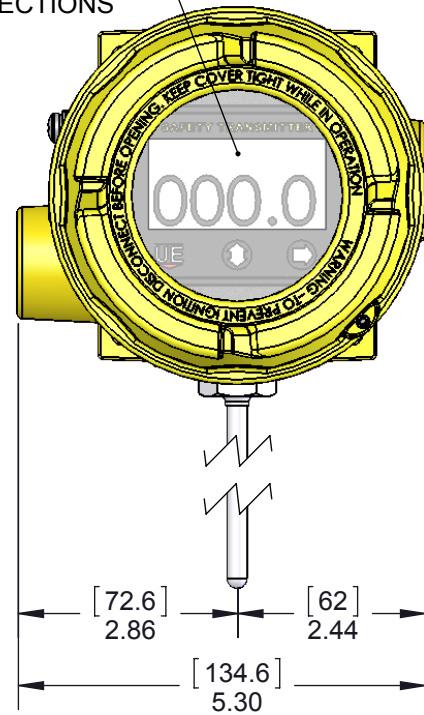


DISPLAY CAN BE ROTATED UP TO 180° BOTH DIRECTIONS

A-14007



**SPECIFICATIONS:**

(SPECIFICATIONS AT 25°C (77°F) AND NOMINAL VOLTAGE UNLESS OTHERWISE NOTED).

**MECHANICAL:**

WETTED MATERIALS: 316 STAINLESS STEEL  
ENCLOSURE: TYPE 360 ALUMINUM; EPOXY POWDER COATED

**ELECTRICAL:**

**ELECTRICAL CONNECTIONS:**

POWER SUPPLY: 3 POSITION TERMINAL BLOCK, 22-14 AWG WIRE  
POWER INPUT: 4-20mA LOOP POWERED (20-40 Vdc)  
(REFERENCE I&M FOR ALLOWABLE POWER SUPPLY AND LOAD LIMITS)

**SAFETY RELAY OUTPUT:**

IAW: 2 POSITION TERMINAL BLOCK, 16-26 AWG WIRE, 30Vdc @ 20mA (MAX)  
SWITCH STATUS: 2 POSITION TERMINAL BLOCK, 16-26 AWG WIRE, 30Vdc @ 20mA (MAX)

**SWITCH SPECS:**

4 POSITION TERMINAL BLOCK, 14-20 AWG WIRE  
250VAC @ 5A

**APPROVALS:**

cULus Listed  
CLASS I, DIVISION 1, GROUPS A, B, C & D;  
CLASS II, DIVISION 1, GROUPS E, F & G; CLASS III  
CLASS I, ZONE 1, AEx d IIC T5; CLASS 1, ZONE 1, Ex d IIC T5  
Tamb = -40°C TO +70°C (-40°F TO 158°F)  
ENCLOSURE TYPE 4X; IP66

ATEX Approved  
II 2 G Ex d IIC T5  
II 2 D Ex tD A21 IP66 T+90C  
DEMKO 09 ATEX 0813748X  
Tamb = -40°C TO +70°C (-40°F TO 158°F)

IECEx Approved  
IECEx UL 08.0017  
Ex d IIC T5  
Ex tD A21 IP66 T+90C  
Tamb. = -40°C TO +70°C (-40°F TO 158°F)

**INSTRUMENTS • CONTROLS • VALVES**  
CLICK TO VISIT OUR WEBSITE  
**ARCO Engineering, Inc.** 3317 Gilmore Industrial Blvd. Louisville, KY 40213  
SINCE 1954 Ph: (502) 966-3134  
www.arcoengineering.com Fx: (502) 966-3135

MODEL TLX	SHEATH LENGTH	
	INCHES	[cm]
TL1	4"	[10.1]
TL2	6"	[15.2]
TL3	10"	[25.4]

REV.	ECN#	DESCRIPTION	DATE	DRWN	APPD
E	E5644	AGENCY TEMPERATURE T5 CODE WAS T3/T5*	10-9-15	SR	RAM
D	E5527	DRILLED HOLES IN CASTING NOW CORED.	6-15-15	RJG	RAM
C	E5171	REMOVED "" MODELS P10-PT6 HAVE A TEMPERATURE CLASS OF T3. ALL OTHER MODELS HAVE A T5 TEMPERATURE CLASS." FROM APPROVALS.	5-29-14	NAB	RG
B	E5017	REPLACED "SWITCH" WITH "SAFETY XMITTER" IN TITLE.	1-16-14	SR	ASK
A	E4967	INITIAL RELEASE	11-22-13	ASK	AJC

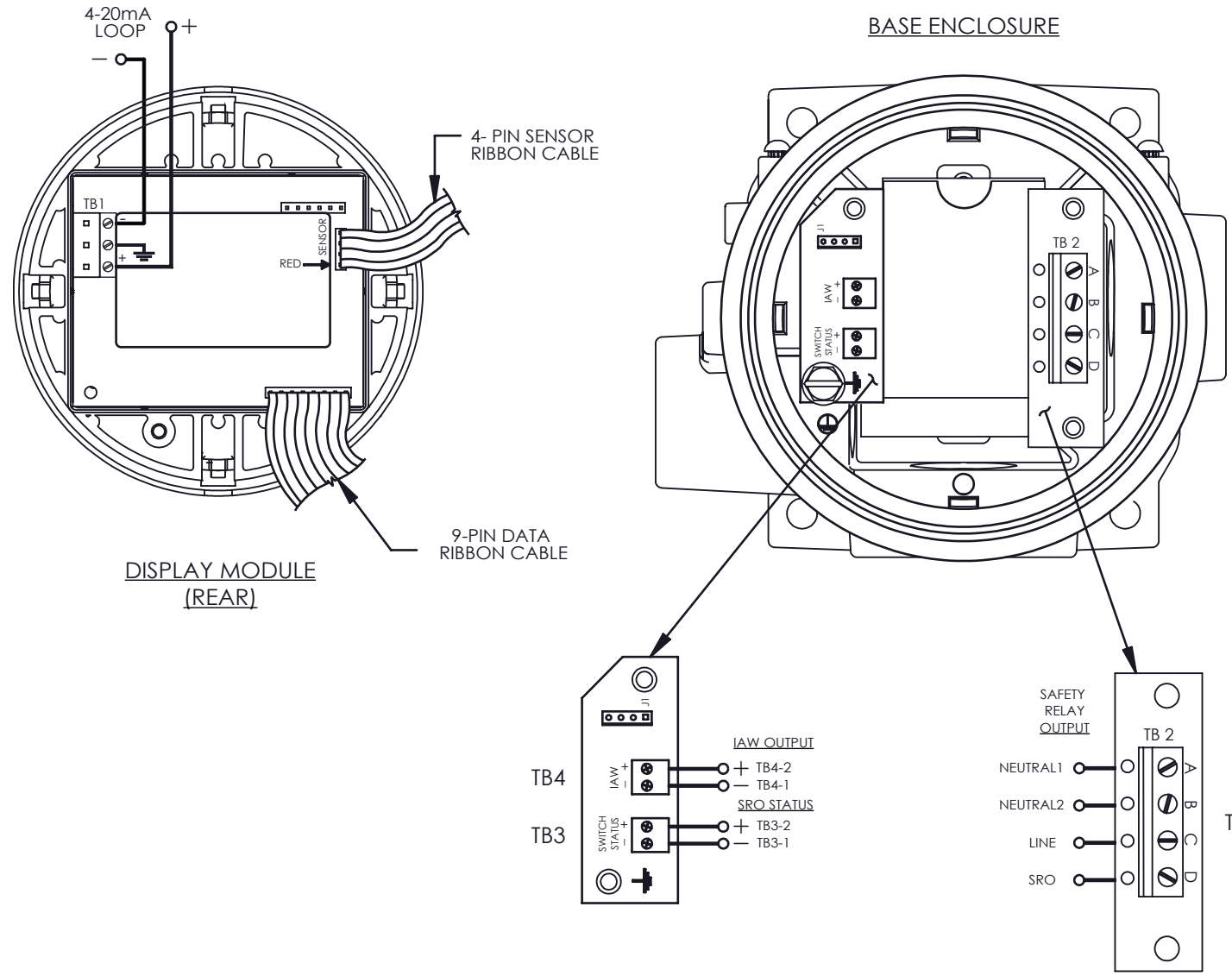
THIS DOCUMENT IS PROPRIETARY PROPERTY OF UNITED ELECTRIC CONTROLS. UNAUTHORIZED USE IS STRICTLY PROHIBITED.

ORIGINAL DATE	11-22-13
DRWN	A. KARLGREN
CHKD	SR
APPD	AJC
UNLESS OTHERWISE SPECIFIED DIMENSIONS ARE IN INCHES	
TOLERANCES ON FRACTIONS ±1/64	
2 PLACE DEC ±0.010	3 PLACE DEC ±0.005
ANGLES ±1/2"	
DO NOT SCALE THIS DRAWING	

TITLE  
**2SLP LOCAL WELDED TEMP. SAFETY XMITTER**  
SCALE 1:1

**UE**  
UNITED ELECTRIC CONTROLS COMPANY  
WATERTOWN • MASSACHUSETTS  
DWG NO Page 1 of 2  
**A-14007**

2SLP WIRING DIAGRAM



DISPLAY MODULE (REAR)

BASE ENCLOSURE

THIS DOCUMENT IS PROPRIETARY PROPERTY OF UNITED ELECTRIC CONTROLS. UNAUTHORIZED USE IS STRICTLY PROHIBITED.

REV.	ECN#	DESCRIPTION	DATE	DRWN	APPD
E	E5644	SEE PG. 1 OF 2.	10-9-15	SR	RAM
D	E5527	SEE PG. 1 OF 2.	6-15-15	RJG	RJG
C	E5171	SEE PG. 1 OF 2.	5-29-14	NAB	RG
B	E5017	SEE PG. 1 OF 2.	1-16-14	SR	ASK
A	E4967	FIRST ISSUE.	11-22-13	ASK	AJC

ORIGINAL DATE	11-22-13
DRWN	A. KARLGREN
CHKD	SR
APPD	AJC
UNLESS OTHERWISE SPECIFIED DIMENSIONS ARE IN INCHES	
TOLERANCES ON FRACTIONS ±1/64	
2 PLACE DEC	3 PLACE DEC
±0.010	±0.005
ANGLES	±1/2°
DO NOT SCALE THIS DRAWING	

TITLE  
**2SLP LOCAL WELDED TEMP. SAFETY XMITTER**

SCALE 1:1

UNITED ELECTRIC CONTROLS COMPANY  
 WATERTOWN \* MASSACHUSETTS

DWG NO Page 2 of 2  
**A-14007**